

TVI THERMOPLASTIC VALVES INC.

ARRANGEMENT DRAWING TRUE UNION Y SEDIMENT STRAINER

SIZE:

DWN BY
CKP

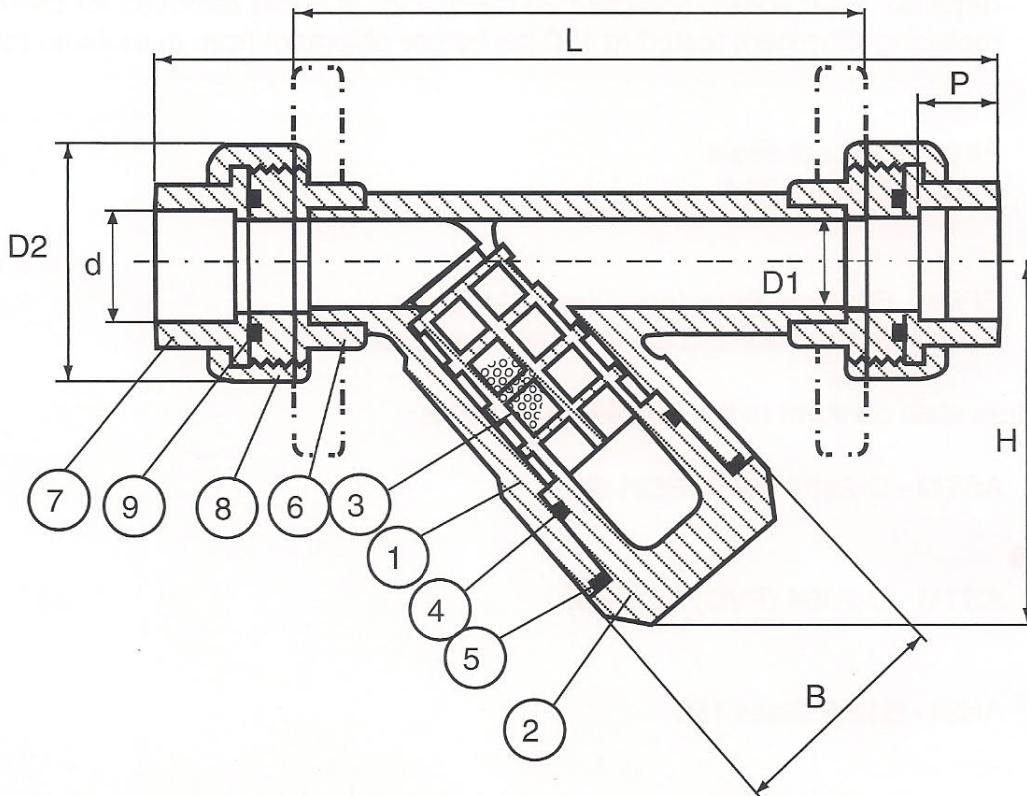
DATE
1-96

DWG NO.
110-YDS

53 S. 7th Street, Emmaus, PA 18049
Ph: 610-967-6388 Fax: 610-967-6448
Email: tv2@fast.net
www.plasticvalves.com

CERTIFIED

CORRECT FOR GENERAL DIMENSIONS Date _____ Per: _____



Materials of Construction

Item	Parts	Pcs	Materials	Item	Parts	Pcs	Materials
1	Body	1	PVC	6	Union End	1	PVC
2	Lid	1	PVC	7	Connector	2	PVC
3	Screen	1	PVC	8	Union Nut	2	PVC
4	Body O-Ring	1	EPDM, VITON®	9	Union O-Ring	2	EPDM, VITON®
5	Cap O-Ring	1	EPDM, VITON®				

VITON® is a trademark of Dupont Dow Elastomers

Ansi Dimensions

Size Inch	D1	D2	SOC/THD	L FLANGE	P	SOCKET	d THREAD	H	Unit: inch B	Working Pressure (PSI)
1/2"	0.59	1.81	8.0	9.25	0.875	0.840	NPT 1/2"	2.36	1.22	150
3/4"	0.79	2.40	9.5	10.75	1.000	1.050	NPT 3/4"	2.83	1.57	150
1"	1.02	2.64	10.5	12.0	1.125	1.315	NPT 1"	3.43	1.89	150
1 1/4"	1.26	3.35	11.93	13.7	1.250	1.660	NPT 1 1/4"	3.80	2.17	150
1 1/2"	1.57	3.35	12.62	14.4	1.375	1.900	NPT 1 1/2"	4.92	2.76	150
2"	1.97	3.90	14.0	15.75	1.500	2.375	NPT 2"	5.91	2.23	150

Testing performed on PVC/EPDM valves at 73°F water temperature, non-shock.

TVI Y - SEDIMENT STRAINERS 1/2" thru 2"

DESIGN SPECIFICATIONS

Thermoplastic Y - Sediment Strainers have a one piece clear PVC body. The body has true union end connections in either socket or threaded style and flanged if required. Filter screen standard 20 mesh PVC is easily removed for cleaning or replacing. Strainers tested at 150 psi before shipment from manufacturing plant.

BODY

All parts except seals
PVC, ASTM D-1784

SEALS

EPDM, Ethylene Propylene Diene Monomer
Fluorocarbon, Viton® (Dupont Dow Elastomers)

End connectors shall conform to the following standards:

SOCKET

ASTM - D-2467 (PVC, SCH-80)

THREADED

ASTM - D-2464 (PVC, SCH-80)

FLANGED

ANSI - B16.5 Class 150