



THERMOPLASTIC VALVES INC.
STANDARD 4" SAFETY BLOCK BALL VALVE

53 S. 7th Street, Emmaus, PA 18049
 Ph: 610-967-6388 Fax: 610-967-6448
 Email: tvj2@fast.net
www.plasticvalves.com

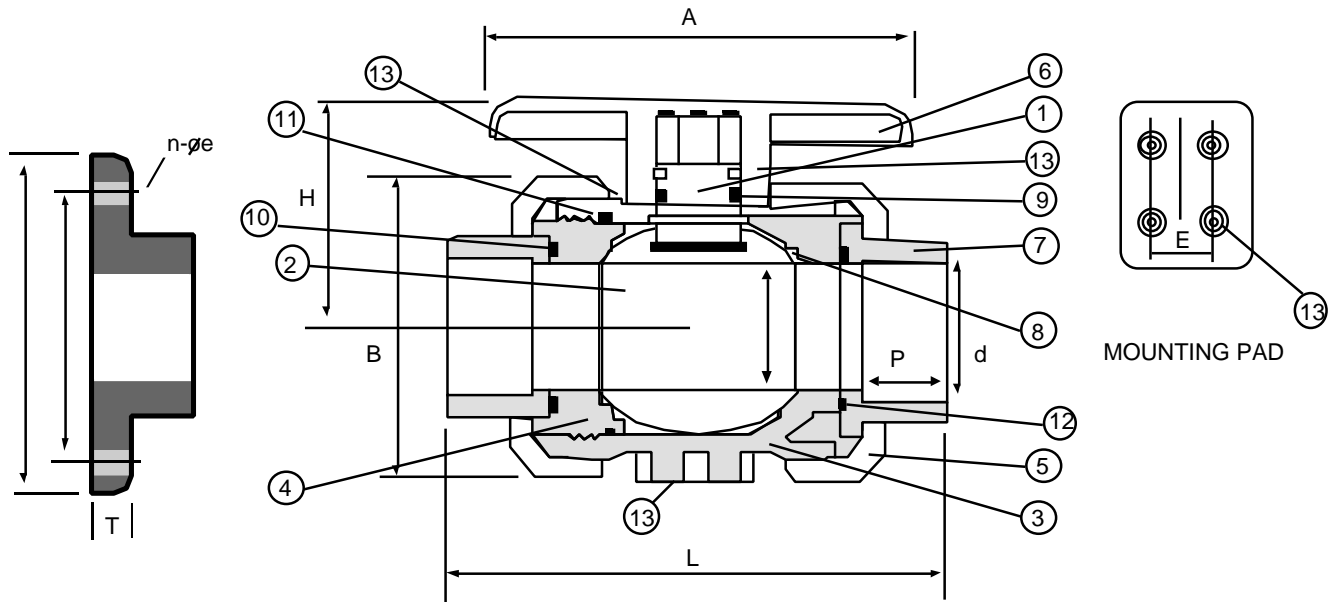
SIZE: 4"

DWN BY CKP

DATE 1-96

DWG NO. 103-SB

CERTIFIED CORRECT FOR GENERAL DIMENSIONS Date _____ Per: _____



Materials of Construction

Item	Parts	Pcs	Materials	ItemParts	Pcs	Materials	
1	Stem	1	PVC, PP, CPVC, PVDF	8	Seat	2	PTFE
2	Ball	1	PVC, PP, CPVC, PVDF	9	Stem O-Ring	1	EPDM, VITON®
3	Body	1	PVC, PP, CPVC, PVDF	10	Seat Carrier O-Ring	1	EPDM, VITON®
4	Seat Carrier	1	PVC, PP, CPVC, PVDF	11	Body O-Ring	1	EPDM, VITON®
5	Union Nut	2	PVC, PP, CPVC, PVDF	12	Solid End O-Ring	1	EPDM, VITON®
6	Handle	1	ABS	13	Mounting Pad Inserts	4	Brass
7	End Connector	2	PVC, PP, CPVC, PVDF				

VITON® is a trademark of DuPont Performance Elastomers

Ansi Dimensions

Size Inch	D1	D2	D3	d Socket	Thread	P	e	n	Socket	L Thread	Flange	A	T	H	B	E	working pressure (psi)
4"	4.02	7.5	7.000	4.518	NPT4"	2.250	0.750	8	12.80	12.80	15.18	10.79	0.866	6.69	8.90	1.93	150

****6" Ventured valve available (4" valve with 4x6" adapters ~ socket or flanged end connection)**

Testing Procedure: Every valve is tested for bubble tight shutoff prior to leaving the factory. Pressure testing performed on PVC/EPDM valves at 73° water temperature, non-shock.

TVI SAFETY BLOCK - TRUE UNION BALL VALVES

DESIGN SPECIFICATIONS

Thermoplastic Ball Valves 1/2" - 4" are designed to safely block full system pressure in either direction to allow on-line system maintenance. Valve stem is of the blow-out proof design. Valve has full port for lowest possible pressure loss. Seats shall be easily adjustable and replaceable. Stem has an internal pressure sealed land to protect stem and stem seal from contaminants. Every valve is fully pressure and cycle tested before leaving the factory. Materials of construction shall be: (select as required for service)

BODY/BALL/STEM/END NUTS AND CONNECTORS

PVC, CPVC, ASTM D-1784
PP, ASTM D-4101
PVDF, ASTM D-3222

SEAT

PTFE (Polytetrafluoroethylene), Teflon® (DuPont Dow Elastomers)

SEALS

EPDM, Ethylene Propylene Diene Monomer
Fluorocarbon. Viton® (DuPont Dow Elastomers)
Fluorel (3M Corp.)

MANUAL LEVER

ABS, ASTM D-1788

End connectors shall conform to the following standards:

SOCKET

ASTM - D-2467 (PVC, SCH-80)
ASTM - F-439 (CPVC, SCH-80)

THREADED

ASTM - D-2464 (PVC, SCH-80)
ASTM - F-437 (CPVC, SCH-80)

FLANGED -

ANSI - B16.5 Class 150

Both socket and threaded end connectors shall be supplied on all 1/2" - 2" PVC and CPVC valves. On 2 1/2" - 4" socket end connectors will be supplied unless otherwise specified.

Valves shall be backed by a full two (2) year guarantee.

Not recommended for compressed air or gas service.