

# **TVI THERMOPLASTIC VALVES INC.**

## **SAFETY BLOCK TRUE UNION BALL VALVE WITH MOUNTING PADS**

**SIZE: 1/2" - 3"**

**DWN BY  
CKP**

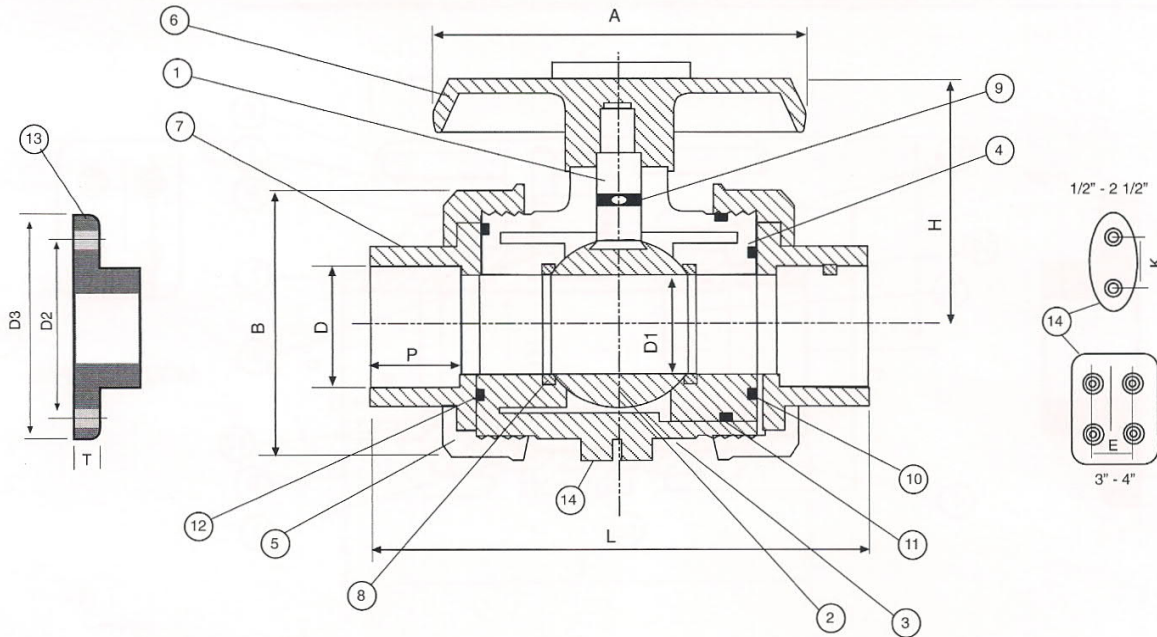
**DATE  
1-96**

**DWG NO.  
103-SB**

53 S. 7<sup>th</sup> Street, Emmaus, PA 18049  
Ph: 610-967-6388 Fax: 610-967-6448

Email: [tv2@fast.net](mailto:tv2@fast.net)  
[www.plasticvalves.com](http://www.plasticvalves.com)

**CERTIFIED**  
**CORRECT FOR GENERAL DIMENSIONS** Date \_\_\_\_\_ Per: \_\_\_\_\_



### Materials of Construction

Item	Parts	Pcs	Materials	Item	Parts	Pcs	Materials
1	Stern	1	PVC, PP, CPVC, PVDF	8	Seat	2	TEFLON®
2	Ball	1	PVC, PP, CPVC, PVDF	9	Stem O-rings	1	EPDM, VITON®
3	Body	1	PVC, PP, CPVC, PVDF	10	Seat Carrier O-ring	2	EPDM, VITON®
4	Seat Carrier	1	PVC, PP, CPVC, PVDF	11	Body End O-ring	1	EPDM, VITON®
5	Union Nut	2	PVC, PP, CPVC, PVDF	12	Solid End O-ring	2	EPDM, VITON®
6	Handle	1	UPVC, PP, PVDF, CPVC	13	Flange	2	PVC, PP, CPVC, PVDF
7	End Connector	2	PVC, PP, CPVC, PVDF	14	Mounting Pad		w/Brass Inserts

VITON® and TEFLON® are trademarks of Dupont Dow Elastomers

### Ansi Dimensions

Size Inch	d								L				Working Pressure (PSI)			
	D <sub>1</sub>	D <sub>2</sub>	D <sub>3</sub>	Socket	Thread	e	n	P	Socket	Thread	Flange	A		T	H	B
1/2"	.591	2.375	3.500	0.840	NPT 1/2"	0.625	4	0.875	4.420	4.420	6.015	3.240	.590	2.120	2.114	150
3/4"	.799	2.750	3.875	1.050	NPT 3/4"	0.625	4	1.000	4.843	4.843	6.673	3.976	.590	2.530	2.500	150
1"	1.024	3.125	4.250	1.315	NPT 1"	0.625	4	1.125	5.615	5.615	7.765	4.390	.630	2.811	2.874	150
1 1/4"	1.20	3.500	4.625	1.660	NPT 1 1/4"	0.625	4	1.250	7.160	7.160	9.275	4.780	.630	3.340	3.850	150
1 1/2"	1.50	3.875	5.000	1.900	NPT 1 1/2"	0.625	4	1.375	7.160	7.160	9.275	4.780	.630	3.340	3.850	150
2"	1.89	4.750	6.000	2.375	NPT 2"	0.750	4	1.500	7.950	7.950	8.100	5.880	.787	3.850	4.733	150
2 1/2"	2.64	5.500	7.000	2.889	NPT 2 1/2"	0.750	4	1.750	8.860	8.860	11.540	7.480	.787	5.51	5.91	150
3"	3.150	6.000	7.500	3.516	NPT 3"	0.750	4	1.875	10.830	10.830	14.920	9.050	.866	6.54	7.20	150

Testing Procedure: Every valve is tested for bubble tight shutoff prior to leaving the factory.  
Pressure testing performed on PVC/EPDM valves at 73° water temperature, non-shock.

# TVI SAFETY BLOCK - TRUE UNION BALL VALVES

## DESIGN SPECIFICATIONS

Thermoplastic Ball Valves 1/2" - 4" are designed to safely block full system pressure in either direction to allow on-line system maintenance. Valve stem is of the blow-out proof design. Valve has full port for lowest possible pressure loss. Seats shall be easily adjustable and replaceable. Stem has an internal pressure sealed land to protect stem and stem seal from contaminants. Every valve is fully pressure and cycle tested before leaving the factory. Materials of construction shall be: (select as required for service)

## BODY/BALL/STEM/END NUTS AND CONNECTORS

PVC, CPVC, ASTM D-1784

PP, ASTM D-4101

PVDF, ASTM D-3222

## SEAT

PTFE (Polytetrafluoroethylene), Teflon® (DuPont Dow Elastomers)

## SEALS

EPDM, Ethylene Propylene Diene Monomer

Fluorocarbon. Viton® (DuPont Dow Elastomers)

Fluorel (3M Corp.)

## MANUAL LEVER

ABS, ASTM D-1788

End connectors shall conform to the following standards:

## SOCKET

ASTM - D-2467 (PVC, SCH-80)

ASTM - F-439 (CPVC, SCH-80)

## THREADED

ASTM - D-2464 (PVC, SCH-80)

ASTM - F-437 (CPVC, SCH-80)

## FLANGED -

ANSI - B16.5 Class 150

Both socket and threaded end connectors shall be supplied on all 1/2" - 2" PVC and CPVC valves. On 2 1/2" - 4" socket end connectors will be supplied unless otherwise specified.

Valves shall be backed by a full two (2) year guarantee.

Not recommended for compressed air or gas service.